

WED-11/14 ET2 HIGH SPIN WASHER EXTRACTORS



EASY TOUCH 2

7" touch screen, user-friendly and fully programmable
Connection USB. Free software online for programming,
telemetry, data analysis...
Videos display (ads, instructions...)
37 available languages
8 dosing signals as standard.



G FACTOR

High G factor 500: reduced residual moisture, reduced
drying time, energy savings



EFFICIENCY

Optimized consumption: automatic or manual adjustment
of water levels and detergents according to the load
Water Saving system: 3 configurable levels of savings
Ready for water recovery tanks AQUABAC



VERSATILITY

OPL <> SELF-SERVICE
ELECTRIC <> HOT WATER
VALVE <> DRAIN PUMP
MAKE TO ORDER: possibility to customize
WET CLEANING as standard



CONNECTIVITY

Communication Danube Online - IoT as standard
Remote technical service
Management of laundry
Multi-payment system



ERGONOMICS

Big aluminium door ø 373 mm
Easy door lock system



MAINTENANCE

Hinged panel: easy access to parts
Technical menu: statistics, errors...



OTHERS

Free standing: no anchoring to the floor
Stainless steel vat and drum, skinplate outer casing
3 water inlets
4 compartments detergents box
Imbalance controlled by frequency inverter
CE and WRAS certificates. ETL option.

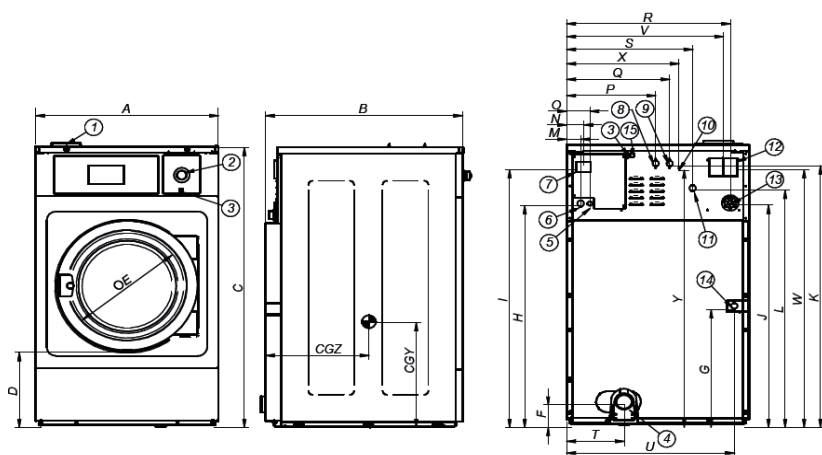


OPTIONS

- 2 dosing pumps kit DQ-2
- Additional dosing pump DB-1
- Double drain (3" external kit for WED-11)
- Valve - pump transformation kit
- Normally closed valve
- AQUA FLOW bath recirculation kit
- Leveling feet
- Automatic weighing system on feet
- 6 additional dosing signals
- Silicone door gasket
- Reversing door opening
- Tropicalized model (ET2)
- Steam transformation kit
- Ergonomic plinth for loading height
- Plinth for mops, filter included
- Self-service plinth to align all machines from top
- AISI-304 stainless steel outer casing or front panel
- Automatic door unlock device (in case of power failure)
- Coin kits: tokens or coins meter + box, central pay
- Other tensions

TECHNICAL DATA	UNIT.	WED-11 ET2	WED-14 ET2		
DRUM					
Capacity 1:9 / 1:10	kg	11 / 10	14 / 13		
Volume	l	100	130		
Diameter	mm	532	620		
Depth	mm	425	430		
GENERAL DATA					
Washing / extraction speed	r.p.m.	50 / 1.300	50 / 1.204		
G factor	-	500	500		
Maximum force transmitted	KN	2,08 ±0,75	2,49 ±1,05		
Frequency dynamic force	Hz	16,7	16,7		
Sound level	dB	<70	<70		
Self-service version	-	YES	YES		
Double drain	-	OPT (External)	OPT		
Weighing / Tilting system	-	OPT / NO	OPT / NO		
Sluice option	-	NO	NO		
DOOR					
Height center / base door	mm	630 / 370	700 / 440		
Diameter	mm	373	373		
POWER					
Motor	kW	0,75	1,1		
Heating (Elec. models)	kW	6	9		
Max. elec. power (Elec. models)	kW	6,25	9,4		
Max. elec. power (steam or hot w.)	kW	0,75	1,1		
CONNECTIONS					
		ELECTRIC	STEAM / HOT WATER	ELECTRIC	STEAM / HOT WATER
Tension 230V - I + N + T	N° x mm2 / A	2 x 6 / 40A	2 x 1,5 / 16A	2 x 10 / 50A	2 x 1,5 / 16A
Tension 230V - III + T	N° x mm2 / A	3 x 2,5 / 20A	-	3 x 2,5 / 20A	-
Tension 400V - III + N + T	N° x mm2 / A	4 x 1,5 / 16A	-	4 x 1,5 / 16A	-
Steam inlet (steam mod.)	Inch	1/2"		1/2"	
Max. steam consumption	Kg/h	7		8,5	
Water inlet	Inch	3/4"		3/4"	
Water pressure	Kgs/cm ²	2-4		2-4	
Maximum water consumption*	Lit/h	71,4		88,8	
Drain	Inch	3"		3"	
Drain flow	Lit/min	200		200	
DIMENSIONS / PACKING DIMENSIONS					
Net / gross length	mm	692 / 730		788 / 830	
Net / gross depth	mm	788 / 1.000		869 / 1.010	
Net / gross height	mm	1.185 / 1.417		1.307 / 1.560	
Net / gross weight	kg	230 / 239		250 / 283	
Volume	m3	1,03		1,31	

* N°20 Program, 75% load



1. SOAP DISPENSER
2. EMERGENCY STOP
3. USB PORT
4. DRAIN
5. ELECTRIC CONNECTION TO LIQUID SOAP PUMPS
6. ELECTRICAL CONNECTION
7. MAIN SWITCH
8. AUXILIAR WATER INLET
9. HOT WATER INLET
10. EQUIPOTENTIAL CONNECTION
11. COLD WATER INLET
12. BLUR OUTPUT / WATER OVERLOAD
13. LIQUID SOAP CONNECTION
14. STEAM CONNECTION
15. ETHERNET PORT

	A	B	C	D	E	F	G	H	I	J	K	L	M	N	O	P	Q	R	S	T	U	V	W	X	Y	CGY	CGZ
WED-11	692	788	1.185	370	373	125	354	913	1.085	916	1.100	985	61	74	101	292	352	610	448	226	626	580	1.080	442	1.145	424	577
WED-14	788	869	1.307	440	373	243	385	1.034	1.202	1.037	1.221	1.106	61	74	101	385	445	706	544	243	718	676	1.202	485	1.201	450	651

